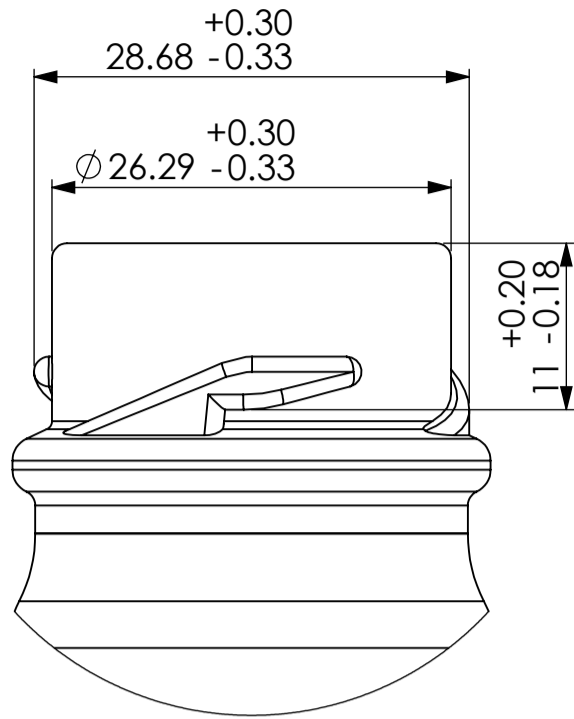
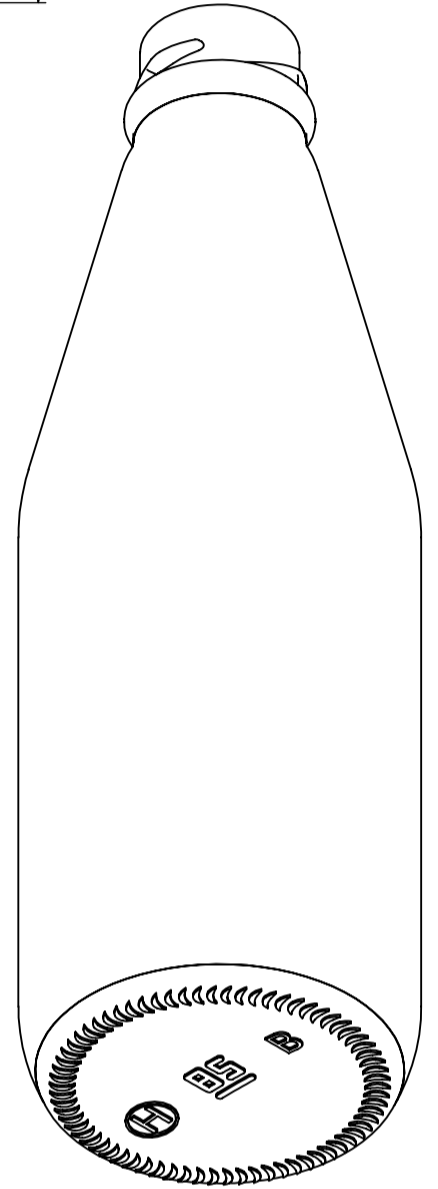


FRONT VIEW



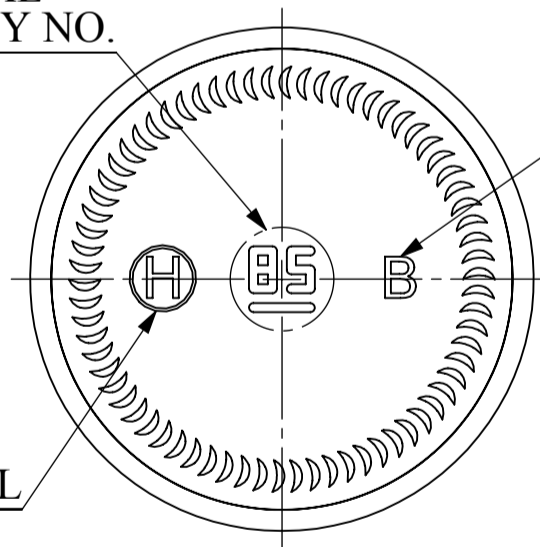
DETAIL B



SPACE FOR
DIGITAL
CAVITY NO.

PLANT
LOCATION

MFR'S
SYMBOL



BOTTOM VIEW

ALL DIMENSIONS ARE IN MILLIMETERS

PROCESS										SPECIFICATION AGREEMENT ARE BASED ON TOLERANCED DIMENSIONS ONLY DO NOT SCALE DRAWING COPYRIGHT RESERVED. NOT TO BE COPIED IN WHOLE OR PART WITHOUT WRITTEN PERMISSION FROM H.N.G. & I. LTD.	
MINIMUM THROUGH BORE	-										HINDUSTHAN NATIONAL GLASS & IND. LTD. TITLE 500 GM T.K. LUG CAP BOTTLE CUST GENERAL MARKET DRN Sandeep DR. DT. 17/06/2014 CHK. CHK. DT. APPD. APPD. DT.
FILL POINT VERIFIED											
TILT ANGLE	-	No.	REV.No.	REVISION		DATE	CHK	DRC			
MAXIMUM DEPTH OF STANDARD ENGRAVING	-	FILL-POINT									
MAX. GAS VOLUMES	-	BRIMFUL CAP.	450 ± 6 ML.								
REF DRG No :-		WEIGHT	245 ± 15 GMS.								
MOULD EQUIPMENT ORDERED BY		FINISH	30 MM MTO (GPI 30-2080)		COLOUR						
PLANT		SURFACE TREATMENT	NO		C.C. NO.	HNG-799		DRAWING No. HNG-00799		A4 REV.	